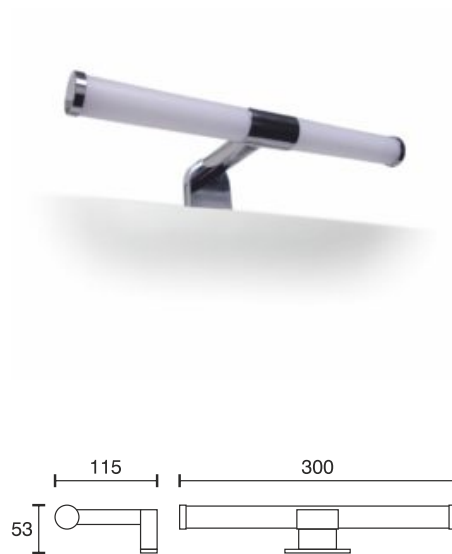


## Mirror light Tube

Technical specifications	
Input voltage	230 Volt AC
Wattage	6 Watt
Type	1000 mm mains lead with wire end ferrule
Dimensions	300 x 115 x 53 mm
Housing colour	chrome
Installation	screw mounting on top of the cabinet or installation onto the mirror with clamp, up to 6 mm thickness
IP Code	IP44
Correlated colour temperature and luminous flux of the light source	4000K   450 Lumen
Lumen maintenance factor	L70B50 >36000 h
CRI	80
EEC	G
Waste disposal	through suitable disposal site
Replaceability	the light source is not replaceable



Article code	
32.934.004nw	4000K